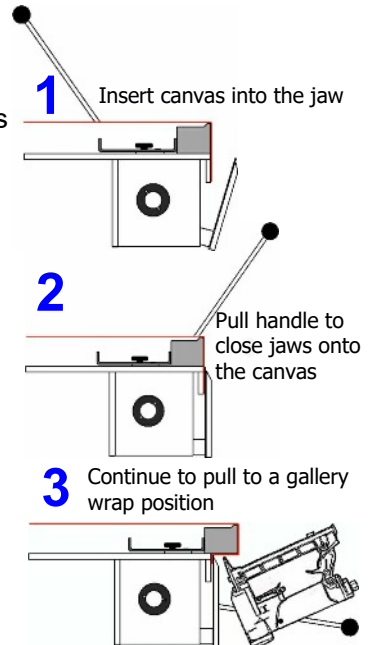


# Your Stretching Made Easy!

The **Canvas Stretch'r**<sup>TM</sup> gives you the quality gallery wrap stretch without the pain & effort of pliers.



- All mechanical for speed and feel
- Needs only 3/4" - 1" beyond stretcher bars to do a gallery wrap
- Available in 36" & 60" widths
- Mounts easily on a worktable or optional floor stand.
- Low investment with quick return
- Canvas lays on table not held in the air
- Open ended jaws for stretching canvas wider than the machine itself.
- Takes only 4-1/2" on the end of a table
- Pushers move the stretcher up to 1-1/2"
- Works with stretcher bars of any height
- The handle fits onto either end and can also rotate 180 ° to clear wider canvases.
- Adjustable grip along the face of the jaw.
- 36" unit is \$ 1,360.00
- 60" unit is \$ 1,995.00



53 Portside Drive Tel: 508-454-4878  
Pocasset, MA 02559

see the machine in action at  
[www.joinrite.com](http://www.joinrite.com)  
[pdownes@isiposters.com](mailto:pdownes@isiposters.com)

- CS36 - 36" machine is \$ 1,360.00
- CS60 - 60" machine is \$ 1,995.00
- CS72 - 72" machine is \$ 2,720.00
- CS96 - 96" machine is \$ 3,355.00
- CS120 - 120" mach. is \$ 3,990.00



Note: CS72 ,CS96 & CS120 are 2 machines together  
 Shipping is FOB Pocasset, MA.  
 and can be done by UPS, FedEx,  
 or Common Carrier.



CS96 shown above includes a CS36 & a CS60 with machine coupler

- FSP Plans for building either stand  
 (includes postage and 9"x12" envelope) \$ 2.95**
- FSP Plans e-mailed to you as PDF Free**



Sold by: